

»FUTURA-mini« series

Diaphragm pressure regulators with self-relieving design and with excellent flow rates in modern design. The regulator knob can be latched.

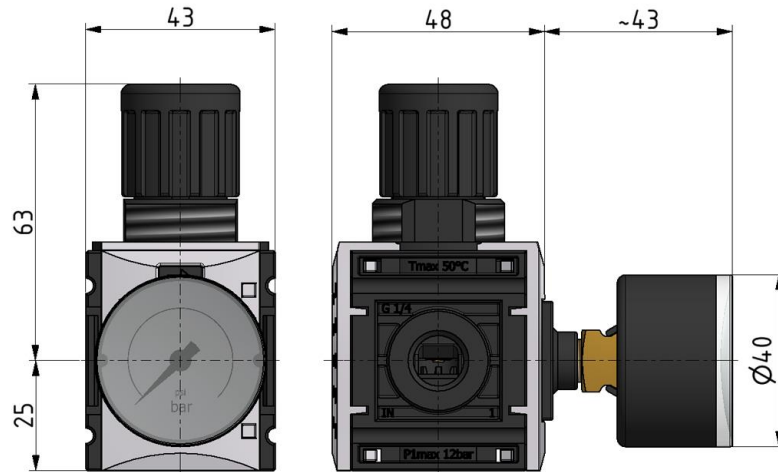
Max. input pressure	12 bar
Temperature range	-10 °C to 50 °C
Medium	Compressed air, neutral gases
Housing	PA66 GF60
Connecting thread	Plastic
Sealant	NBR
Diaphragms	NBR
Flow rate	1000 l/min
Flow rate measurement	At P1 = 10 bar, P2 = 6.3 bar and pressure drop $\Delta p = 1$ bar

Pressure regulator with standard pressure gauge

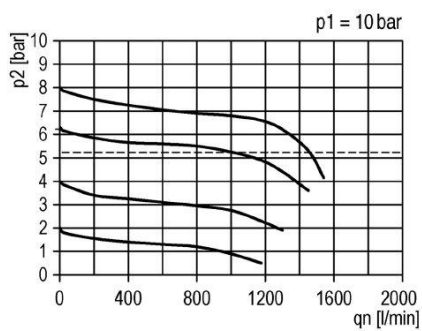
Art. No.	Type No.	Thread	Size	Control range bar	Pressure gauge display bar
142396	FUM 7004	G 1/4	0	0.1 - 4	0 - 6
142397	FUM 7008	G 1/4	0	0.5 - 8	0 - 10
142398	FUM 7010	G 1/4	0	0.5 - 10	0 - 16

Accessories / spare parts

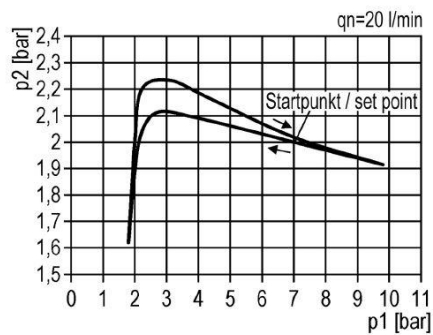
Art. No.	Type No.	Description
143102	R 11-55 K	Panel nut M30x1.5
143105	H 848	Mounting bracket, incl. 2 screws
143106	H 849	Mounting bracket for thread for panel mounting
143010	WKM 100	Coupling package for wall mounting incl. 2 screws and O-ring
143022	KPM 100	Coupling package incl. 2 screws and O-ring
152077	WK 100-14	Wall bracket with connection thread G 1/4
143119	7010.4.950M	Replacement diaphragm for pressure regulator, G 1/4
143131	1811.3.904	Wheel 0.1 - 4 bar
143136	1811.5.904	Pressure spring 0 - 4 bar
143140	22.7010M.4	Spare parts for filter regulator/regulator
143132	1811.3.908	Wheel 0.5 - 8 bar
143138	1811.5.908	Pressure spring 0 - 8 bar
117242	1811.3.910	Wheel 0.5 - 10 bar
117251	1811.5.910	Pressure spring 0 - 10 bar



flow characteristic



pressure characteristic



symbol

